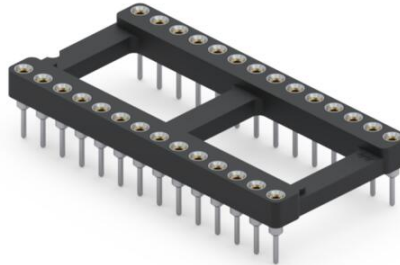
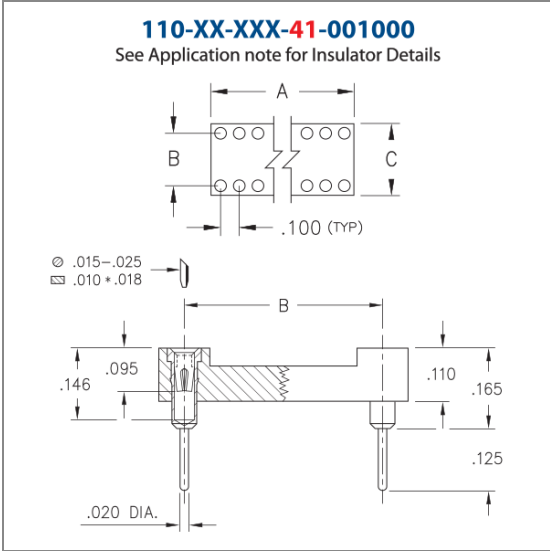




PRODUCT NUMBER: 110-43-628-41-001000

www.mill-max.com  
DATA SHEET



# 110-43-628-41-001000- SPECIFICATIONS

General Info	
<b>Description<sup>1</sup>:</b>	Standard Solder Tail DIP Socket
<b>Type:</b>	DIP
<b>Category:</b>	Dual In Line Socket
<b>Mounting Style:</b>	Through Hole Solder Mount
<b># Pins:</b>	28
<b>Packaging:</b>	Packaged in Tubes
<b>Qty Tube:</b>	14
<b>Pitch:</b>	.100" (2,540mm)
<b>Product Lifecycle:</b>	Active

Environmental Specs	
<b>Temperature Range<sup>2</sup>:</b>	-55/+125° C
<b>Shock<sup>3</sup>:</b>	No Elect. Discontinuity > 1μs @ 50g
<b>Vibration<sup>3</sup>:</b>	No Elect. Discontinuity > 1μs @ 10-2000HZ, 15 G
<b>RoHS<sup>4</sup>:</b>	Yes

Mechanical Specs	
<b>Durability<sup>5</sup>:</b>	1,000 Cycles Minimum
<b>Mounting Hole:</b>	.024" (0,610mm)

Materials	
<b>Loose Pin/Receptacle # (Material):</b>	1001 (Brass Alloy)
<b>Shell Plating:</b>	200 μ" Tin (matte finish) over 100 μ" Nickel
<b>Inner Contact #:</b>	30
<b># Contact Fingers:</b>	4
<b>Inner Contact Material:</b>	Beryllium Copper
<b>Inner Contact Plating:</b>	30 μ" Gold over 50 μ" Nickel
<b>Insulator Material:</b>	High Temp Thermoplastic

Technical Specs	
<b>A Dim:</b>	1.400" (35,560mm)
<b>B Dim:</b>	.600" (15,240mm)
<b>C Dim:</b>	.700" (17,780mm)

Electrical Specs	
<b>Current Rating<sup>6</sup>:</b>	3 Amps
<b>Contact Resistance<sup>7</sup>:</b>	10 mΩ max.
<b>Rated Voltage:</b>	100 VRMS/150 VDC
<b>Insulation Resistance:</b>	10,000 MΩ min.
<b>Dielectric Withstanding Voltage:</b>	1,000 VRMS min.

## NOTES:

1. Standard Tolerances:  
Assembly tolerance: +/- .010" (.25mm)  
Insulator length: +/- .005 (.13mm)  
Insulator width: +/- .005 (.13mm)  
Insulator height: +/- .005 (.13mm)  
Pin Length: +/- .005 (.13mm)  
Pin Diameter: +/- .002 (.051mm)  
Pin Angle: +/- 2°  
Co-planarity of SMT connectors: .005" (.13mm) up to 1" (25.4mm) in connector length  
Insulator Flatness: .005" (.13mm) up to 1" (25.4mm) in connector length
2. Per IEC 60512-11-(4,-9,-10,-12)
3. For discrete pin only. Per IEC 60512-6-3: Test 6c: Shock
4. Mill-Max products labeled with the RoHS symbol are compliant with all three ROHS Directives. All of our products previously described as RoHS (2002/95/EC) and RoHS-2 (2011/65/EC) are also compliant with RoHS-3 (2015/863/EU).
5. Receptacles are capable of 1,000 Minimum insertion/extraction cycles for a broad range of applications. Mating pin size, shape and finish, along with application specific variables, will affect the life of a receptacle contact.
6. Per IEC 60512-5-1, Current Carrying Capacity (evaluated at 10° C Temp. Rise)
- 7.

## ADDITIONAL NOTES AND SPECIFICATIONS

In the interest of improved design, quality and performance, Mill-Max reserves the right to make changes in its specifications without prior notice. Specifications and tolerances are provided wherever possible. The tolerance on dimensions of critical to function features is typically held tighter than the stated standard tolerances, such as press-fits, holes and lengths affecting the coplanarity of SMT products. Due to the wide variety of interconnects Mill-Max offers, the specific tolerances vary from product to product. If you need information regarding the tolerance of a particular part, please contact Technical Services.

## RELATED LINKS AND DOCUMENTS

Application Note: ( [https://www.mill-max.com/sites/default/files/external/assets/2019-02/dip\\_insulator\\_information.pdf](https://www.mill-max.com/sites/default/files/external/assets/2019-02/dip_insulator_information.pdf) )

Environmental Compliance: ( <https://www.mill-max.com/rohs> )