

1

2

3

4

A

A

B

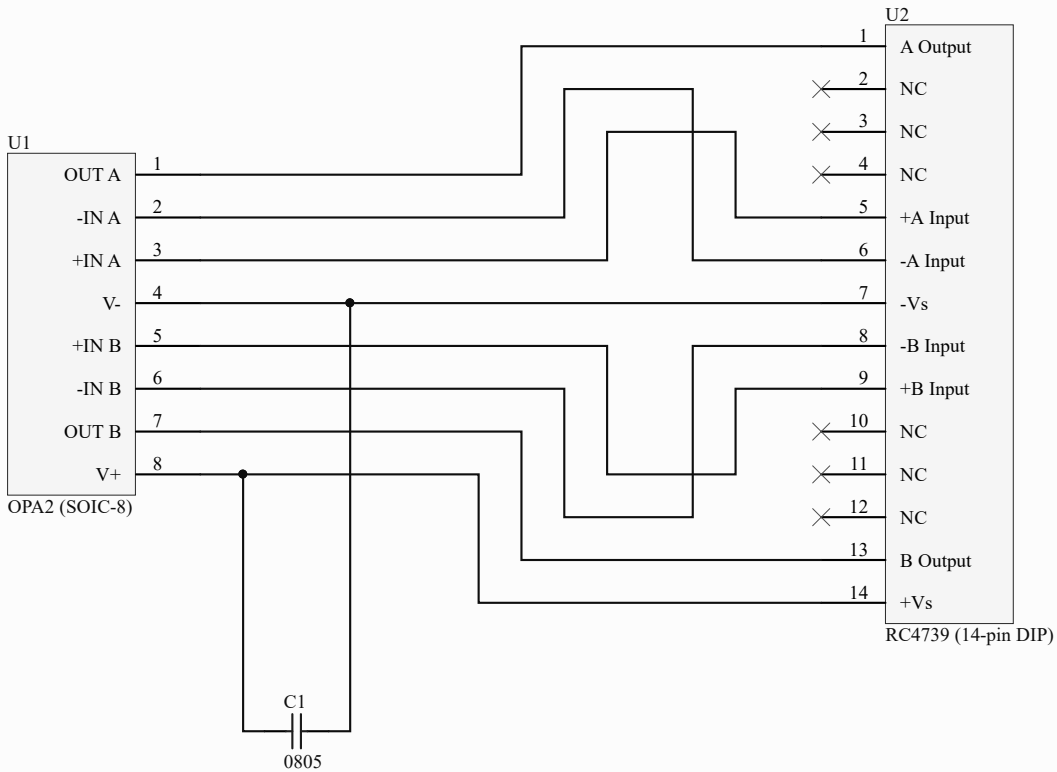
B

C

C

D

D



Copyright 2020. Cimarron Technology, Inc.

This drawing is the property of Cimarron Technology, Inc. The information herein is not to be used except as expressly authorized by this company. Copies are not to be made without permission.

Title **RC4739 Upgrade Adapter**

Cimarron Technology, Inc.
372 S Eagle Rd, PMB 182
Eagle, ID 83616-5908
USA



Size: A Part Number: 180801 Revision: 2

Date: 8/31/2021 Time: 4:34:52 PM Sheet 1 of 1

Engineer: Eamonn T. Harter

1

2

3

4